

SiT1618B-12-0002

25 MHz, ±25 ppm MEMS XO for Anlogic PRELIMINARY



Description

SiT1618B-12-0002 is a frequency specific version of the SiT1618B MEMS XO that supports 25 MHz output and ±25 ppm frequency stability.

SiT1618B-120002 is engineered for best dynamic performance. Its environmental robustness enables unmatched ease-of-use and reduces system manufacturing overhead:

- Anywhere placement on the PCB
- No mechanical lid or shielding for thermal isolation
- No external regulators

Refer to [SiT1618B](#) datasheet, reliability report and composition report for all other device specifications, quality and environmental information.

Features

- Frequency: 25 MHz
- Frequency stability: ±25 ppm
- Operating temperature range: -40 to 105°C
- 3.3V supply voltage
- LVC MOS output
- Resistant to shock, vibration and board bending
- Standard 2.5 x 2.0 mm² footprint
- Pb-free, RoHs and REACH compliant

Ordering Information

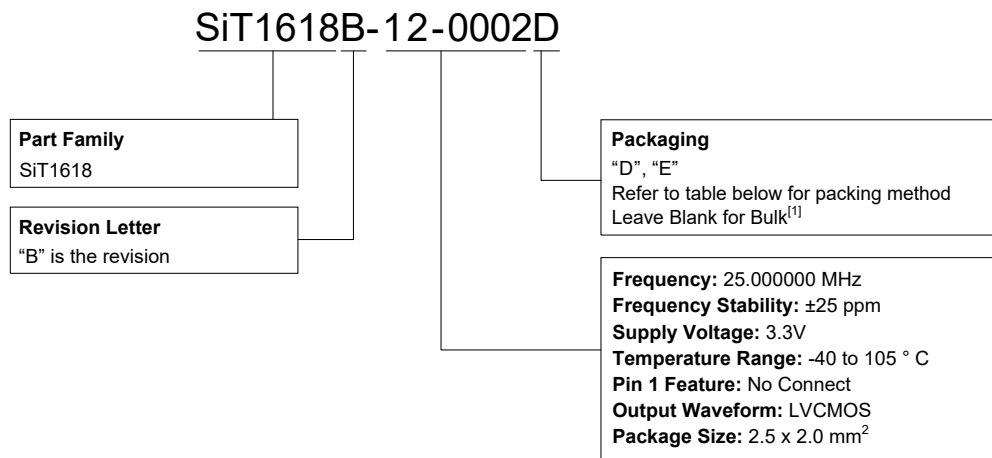


Figure 1. Order codes

Notes:

1. Bulk is available for sampling only.

Table 1. Ordering Codes for Supported Tape & Reel Packing Method

Device Size (mm x mm)	8 mm T&R (3ku)	8 mm T&R (1ku)
2.5 x 2.0	D	E

Table 2. Electrical Characteristics^[1]

Parameters	Symbol	Min.	Typ.	Max.	Unit	Condition
Frequency Coverage						
Output Frequency Range	F		25		MHz	
Frequency Stability						
Frequency Stability	F_stab	-25	–	+25	ppm	Inclusive of Initial tolerance at 25°C, 1st year aging at 25°C, and variations over operating temperature, rated power supply voltage and load.
Supply Voltage						
Supply Voltage	V _{DD}	2.97	3.3	3.63	V	
Temperature Range						
Operating Temperature Range	T _{use}	-40	–	105	°C	

Note:

1. Refer to SiT1618B standard datasheet for all other specifications.

Revision History

Table 3. Revision History

Version	Release Date	Change Summary
0.8	01/12/2020	First release

SiTime Corporation, 5451 Patrick Henry Drive, Santa Clara, CA 95054, USA | **Phone:** +1-408-328-4400 | **Fax:** +1-408-328-4439

© SiTime Corporation 2020. The information contained herein is subject to change at any time without notice. SiTime assumes no responsibility or liability for any loss, damage or defect of a Product which is caused in whole or in part by (i) use of any circuitry other than circuitry embodied in a SiTime product, (ii) misuse or abuse including static discharge, neglect or accident, (iii) unauthorized modification or repairs which have been soldered or altered during assembly and are not capable of being tested by SiTime under its normal test conditions, or (iv) improper installation, storage, handling, warehousing or transportation, or (v) being subjected to unusual physical, thermal, or electrical stress.

Disclaimer: SiTime makes no warranty of any kind, express or implied, with regard to this material, and specifically disclaims any and all express or implied warranties, either in fact or by operation of law, statutory or otherwise, including the implied warranties of merchantability and fitness for use or a particular purpose, and any implied warranty arising from course of dealing or usage of trade, as well as any common-law duties relating to accuracy or lack of negligence, with respect to this material, any SiTime product and any product documentation. Products sold by SiTime are not suitable or intended to be used in a life support application or component, to operate nuclear facilities, or in other mission critical applications where human life may be involved or at stake. All sales are made conditioned upon compliance with the critical uses policy set forth below.

CRITICAL USE EXCLUSION POLICY

BUYER AGREES NOT TO USE SITIME'S PRODUCTS FOR ANY APPLICATION OR IN ANY COMPONENTS USED IN LIFE SUPPORT DEVICES OR TO OPERATE NUCLEAR FACILITIES OR FOR USE IN OTHER MISSION-CRITICAL APPLICATIONS OR COMPONENTS WHERE HUMAN LIFE OR PROPERTY MAY BE AT STAKE.

SiTime owns all rights, title and interest to the intellectual property related to SiTime's products, including any software, firmware, copyright, patent, or trademark. The sale of SiTime products does not convey or imply any license under patent or other rights. SiTime retains the copyright and trademark rights in all documents, catalogs and plans supplied pursuant to or ancillary to the sale of products or services by SiTime. Unless otherwise agreed to in writing by SiTime, any reproduction, modification, translation, compilation, or representation of this material shall be strictly prohibited.