

SiTime MEMS Timing Benefits

Complete MEMS clock tree

- Ultra-low jitter differential XO
- Stratum 3 Super-TCXO
- High Temperature XO

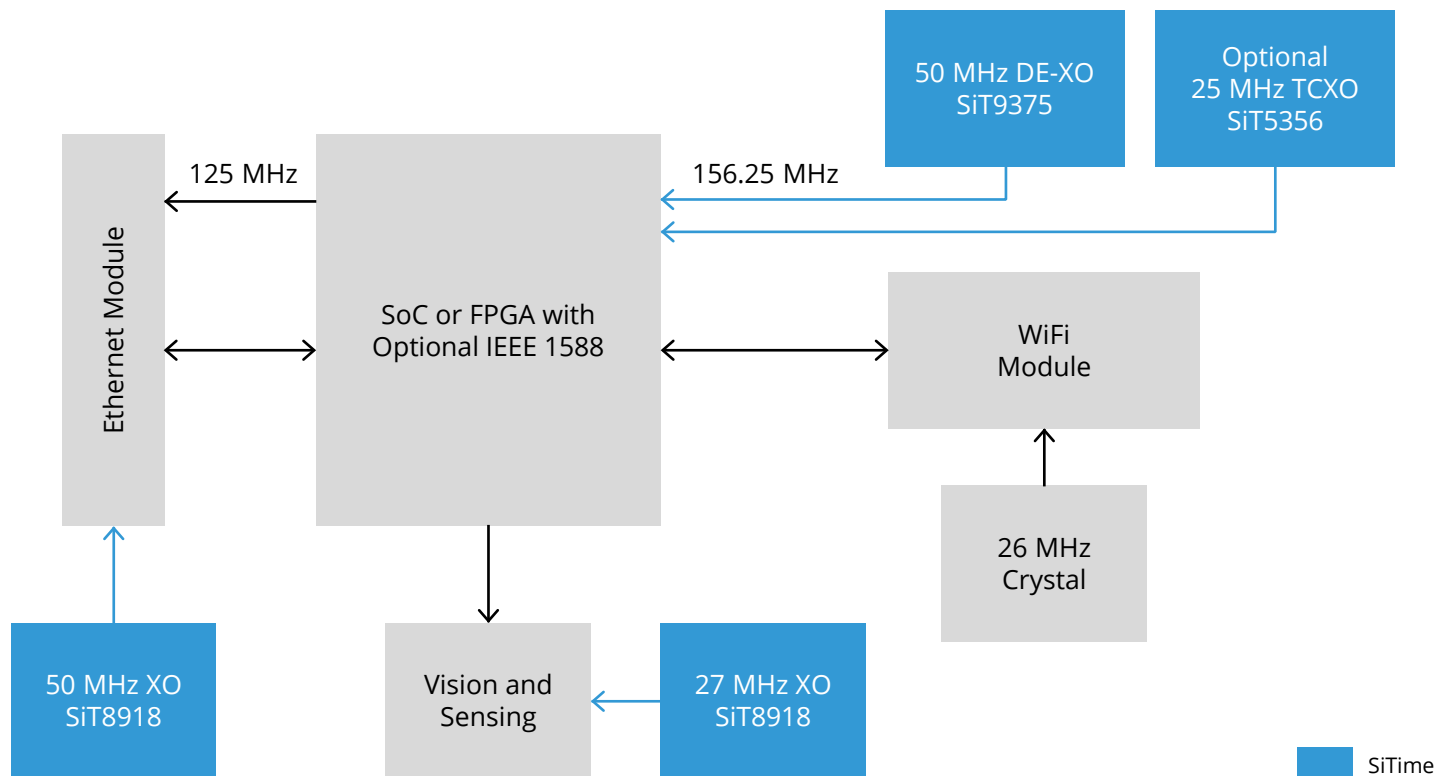
Most robust in real world conditions

- 4x better dF/dT for best time sync
- 200 fs rms jitter, excellent PSNR
- 70 g vibration and 50,000 g shock

Easy to use, built to last

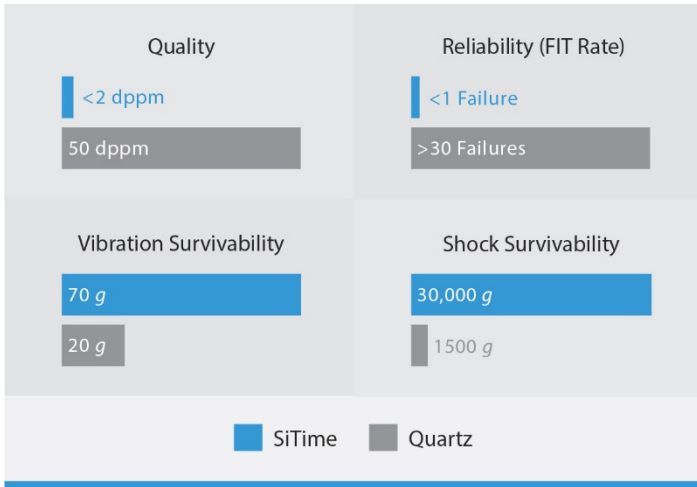
- Custom configured solution
- No quartz reliability issues
- 1 billion hour MTBF

MEMS Timing Solution for Industrial Robotics



Devices	Type	Function	Key Features
SiT535x	Super-TCXO	Reference clock for IEEE 1588	1 to 220 MHz, ±100 ppb, ±1 ppb/°C, 105°C
SiT9375	Differential XO	Reference clock for SoC or FPGA	25 to 644 MHz, 0.2 ps jitter, 105°C
SiT891x	High Temperature XO	Ethernet, Vision and Sensing	1 to 137 MHz, ±20 ppm, 125°C

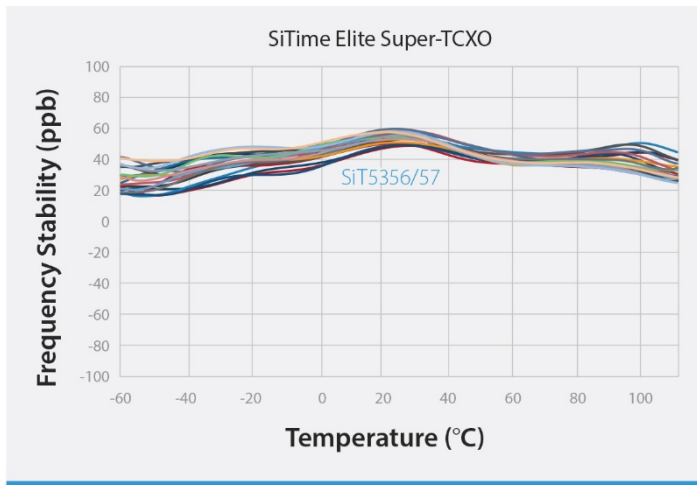
Better Quality, More Robust



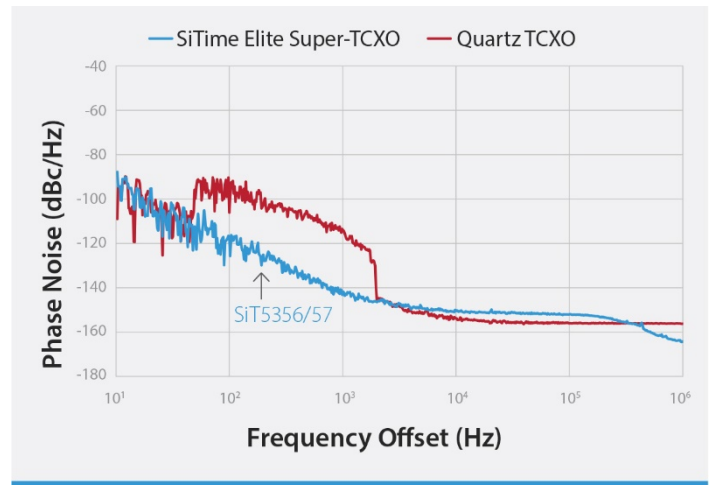
Millions of Configurations



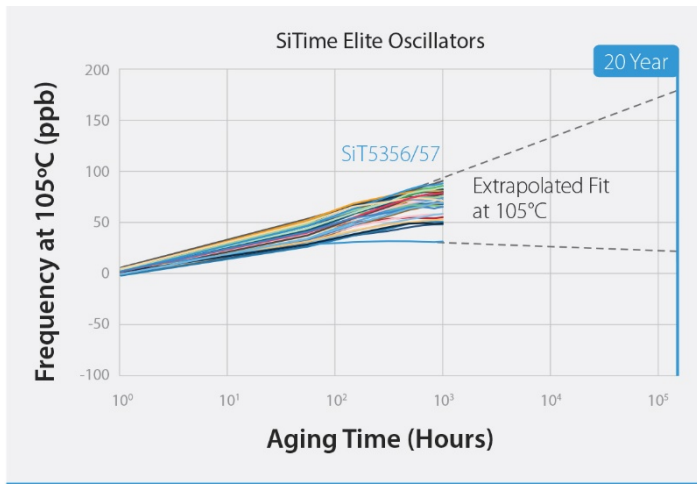
Better Stability



Better Vibration Resistance



Better Aging



Better PSNR (Power Supply Noise Rejection)

