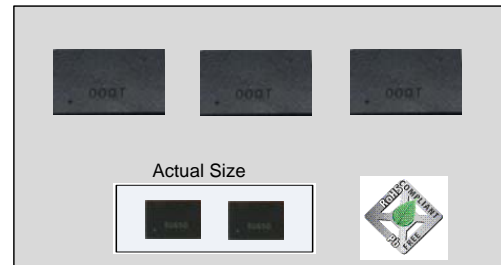


### Features

- 1 MHz to 125 MHz Frequency range
  - Meets or Exceeds performance of Epson SG-8002 family
  - Consumer electronics, Automation
  - Greater immunity from interference and ultra-reliable start up
  - Output driver strength reduces EMI
  - RoHs compliant and lead-free
  - Ultra short lead time
- These highly reliable oscillators are completely quartz free

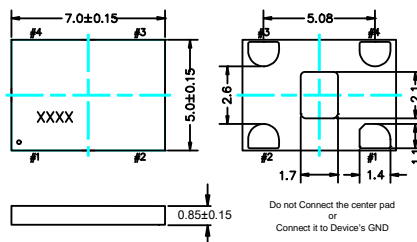


### Specifications

Parameter	Symbol	Min.	Typ.	Max.	Unit	Condition
Output Frequency Range	f	1	–	125	MHz	
Frequency Tolerance	F_tol	-50	–	+50	ppm	Inclusive of: Initial tolerance, operating temperature, rated power supply voltage change, load change, aging, shock and vibration
		-100	–	+100	ppm	
Storage Temperature Range		-55	–	+125	°C	
Operating Temperature Range	T_use	-20	–	+70	°C	Extended Commercial
		-40	–	+85	°C	Industrial
Supply Voltage	Vdd	2.25	–	2.75	V	
Current Consumption	Idd	–	–	22	mA	15pf load, f = 65 MHz
Standby Current	I_std	–	–	50	µA	output is Weakly Pulled Down, ST = GND
Symmetry	SYM	45	–	55	%	f = 1 MHz - 125 MHz, 15pf load
Rise/Fall Time	Tr, Tf	–	1.0	2	ns	20% - 80% Vdd level
Output Voltage High	VOH	90	–	–	%Vdd	IOH = -7mA
Output Voltage Low	VOL	–	–	10	%Vdd	IOL = 7mA
Input Voltage High	VIH	70	–	–	%vdd	Pin 1, OE or ST
Input Voltage Low	VIL	–	–	30	%vdd	Pin 1, OE or ST
Output Load	L_cmos	–	–	15	pF	
Start up Time	T_osc	–	12	50	ms	Time from minimum Vdd
Peak-peak Period Jitter	T_pk	–	–	±130	ps	f = 24 MHz
		–	–	±60	ps	f = 100 MHz

### Dimensions and Land Pattern

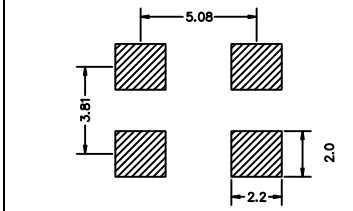
**Dimensions (Unit: mm)**



Do not Connect the center pad or Connect it to Device's GND

Note: XXXX top marking denotes manufacturing lot no.

**Recommended Land Pattern (Unit: mm)**



Note: A capacitor of value 0.1µF between Vdd and GND is recommended

Pin Map	
Pin	Connection
1	OE/ST
2	GND
3	Output
4	Vdd

Pin #1 Functionality	
OE	
H or Open:	specified frequency output
L:	output is high impedance
ST	
H or Open:	specified frequency output
L:	output is low level (weak pull down)

### Part No. Guide- How to Order

